

# R.T. LARGE

ESTABLISHED 1969



## Maria CC Pan and Cistern (Open Back)

### Product Code:

CMARPAN & CMARTAN

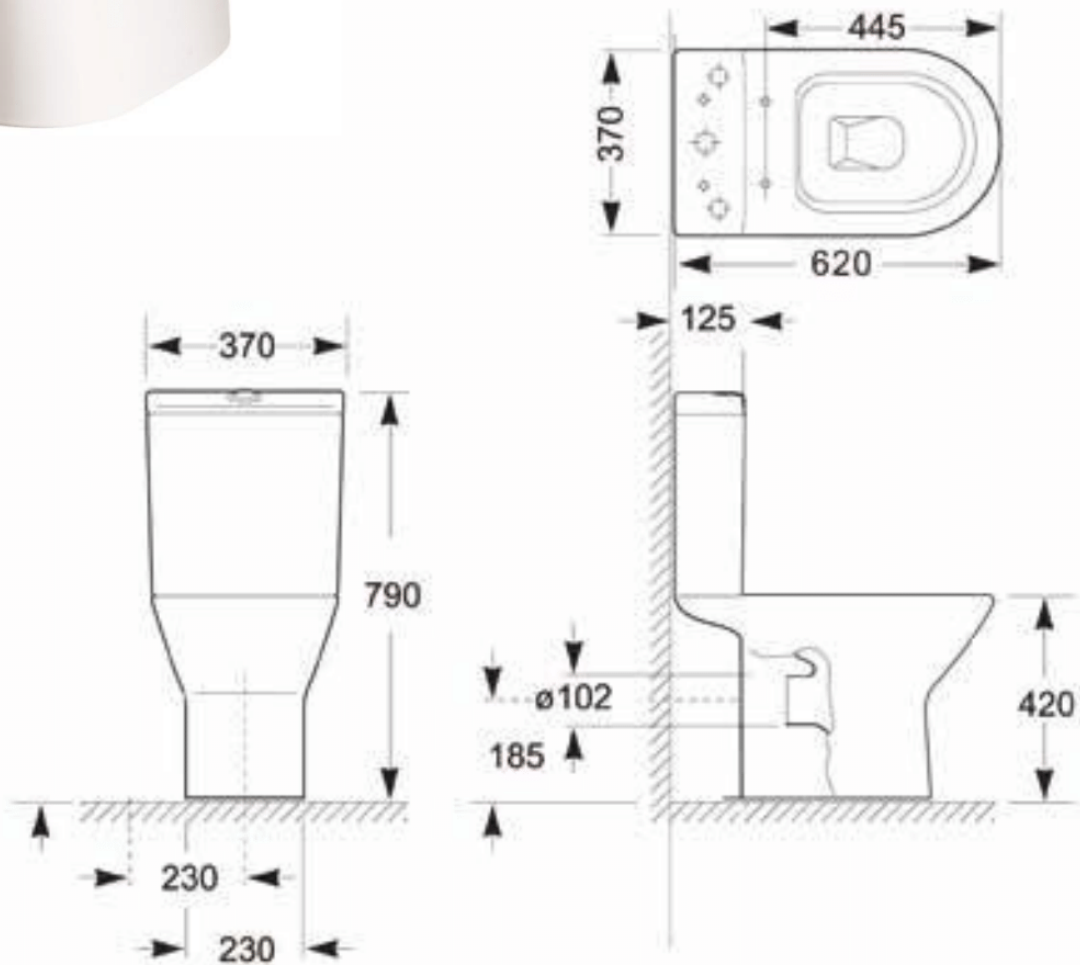
### Features:

W: 370 x D: 620 x H: 790

Rimless Technology

Available with Standard or Slim Seat

Dual Flush Cistern



All Dimensions in mm  
Drawings not to scale