

R.T. LARGE

ESTABLISHED 1969



Maria CC Pan and Cistern (Flush)

Product Code:

CMARPANF & CMARTANF

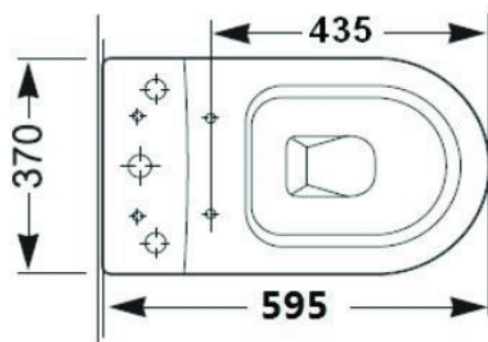
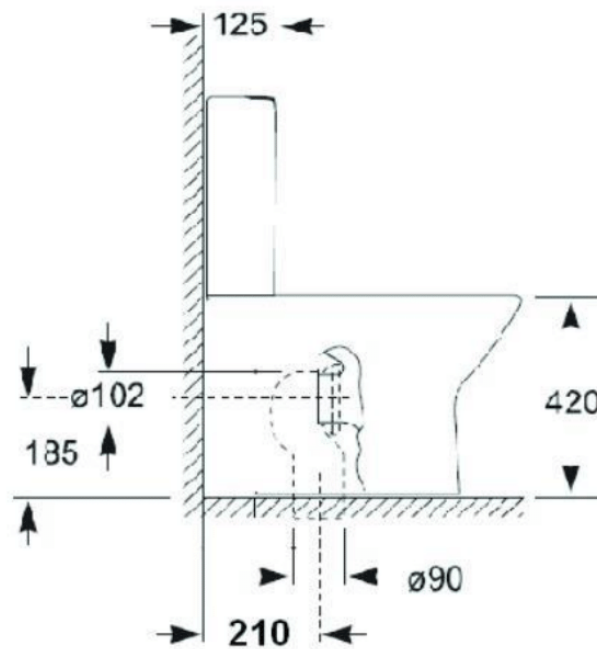
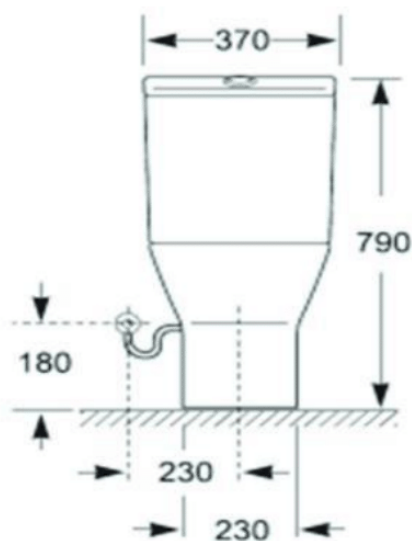
Features:

W: 370 x D: 595 x H: 790

Dual Flush Cistern

Rimless Technology

Available with Standard or Slim Seat



All Dimensions in mm
Drawings not to scale